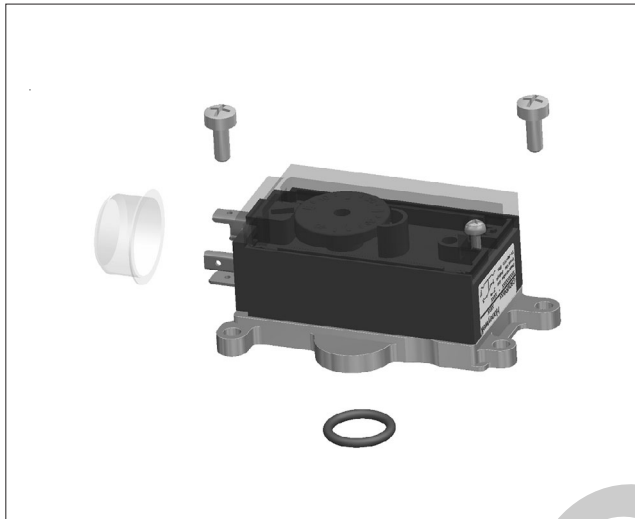


C60VR4xxx

GAS PRESSURE SWITCH FOR VR400 AND VRB COMBINATION GAS CONTROLS

INSTRUCTION SHEET



SPECIFICATION

Material

Diaphragm: NBR
Housing: PBT glassfibre reinforced
Bottom: AISi 12
Contacts: AgNi

Dimensions

See fig. 2

Ambient temperature

-10...70°C

Maximum test pressure

2 bar, < 15 min.

Maximum operating pressure

See table 1.

Terminals

Conform DIN 43650

Electrical connection

AMP faston 6.3 x 0.8 mm
Din plug conform DIN 43650

Enclosure

IP 00

Accessories

Cable plug (conform DIN 43650): 45.900.429-050

APPLICATION

The gas pressure switch C60VR40xxx functions as a minimum inlet gas pressure supervision with a safe start interlock.

In combination with VR400 or VRB gascontrol an SPDT contact is operated as a part of a safe start check circuit. Burner will not be allowed to operate unless the gas inlet pressure is above the setpoint.

DESCRIPTION

The gas pressure switch C60VR40xxx is designed to be fitted directly on the body of a VR400 or VRB combination gas control by means of two mounting screws and an O-ring.

Table 1: Models gas pressure switch C60VR40xxx

Type	Range mbar	Hysteresis mbar	p_{max} mbar	Electrical rating (resistive duty)*	Switch type	Contact Resistance (initial)
C60VR40040	5 ... 40	1.5 ... 2.5	100	24 ... 250 Vac, 5(0.5) A	SPDT	< 80 mΩ
C60VR40110	30 ... 110	4 ... 12	600	24 ... 250 Vac, 5(0.5) A	SPDT	< 80 mΩ
C60VR40300	100 ... 300	15 ... 30	600	24 ... 250 Vac, 5(0.5) A	SPDT	< 80 mΩ

* values between brackets (..) valid for $\cos \varphi = 0.6$

INSTALLATION, ADJUSTMENTS AND FINAL CHECKOUT

IMPORTANT

Be sure the product is suitable for your application, otherwise consult Honeywell application engineers.

Installer must be a trained experienced service man Turn off gas supply before starting installation.

Disconnect power supply to prevent electrical shock and/or equipment damage.

Do not turn sealed adjustment screw. Adjustments should be made by qualified persons only.

Mounting (See fig. 3., 4., 5. and 6.)

- Remove concerning pressure tap plug from the gasvalve body.
- Position the gas pressure switch with O-ring.
- Place the mounting screws and tighten with a torque of 3,5 Nm.

CAUTION

Do not turn mounting screw more tight then specified above because of possible damage.

WIRING

WARNING

Disconnect power supply before making wiring connections.

Take care that wiring is in accordance with local regulations.

Avoid locations where terminals can be exposed to splashes of water.

WARNING

Tightness test after installation

- Spray all pipe connections and gaskets with a good quality gas leak detection spray.
- Start the appliance and check for bubbles. If a leak is found in a pipe connection, remake the joint. A gasket leak can usually be stopped by tightening the mounting screws, otherwise, replace the gas valve.

Adjustment

- Remove cover.
- Turn adjustment knob to the appropriate pressure setting.
- Mount cover.

Checkout

Before leaving, set appliance in operation and observe through a complete cycle to ensure that burner system components function correctly.

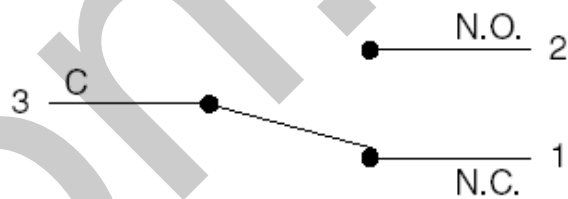


Fig. 1. Terminal Connection

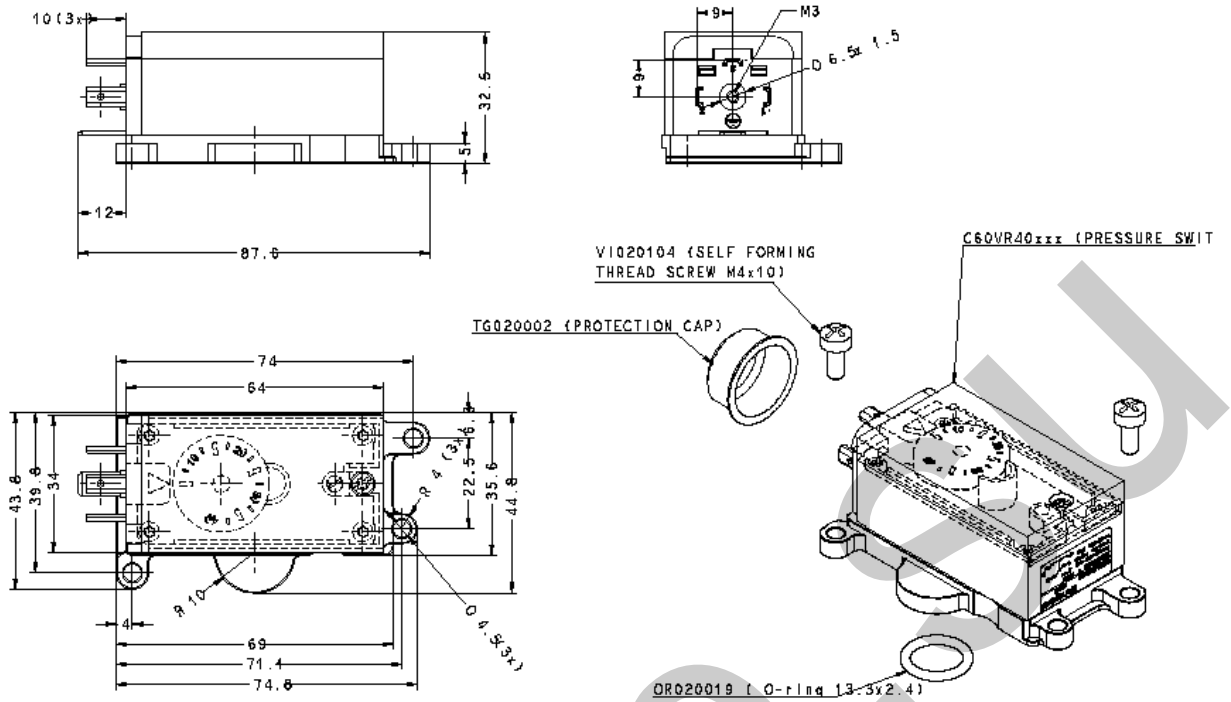


Fig. 2. Dimensions C60VR40xxx

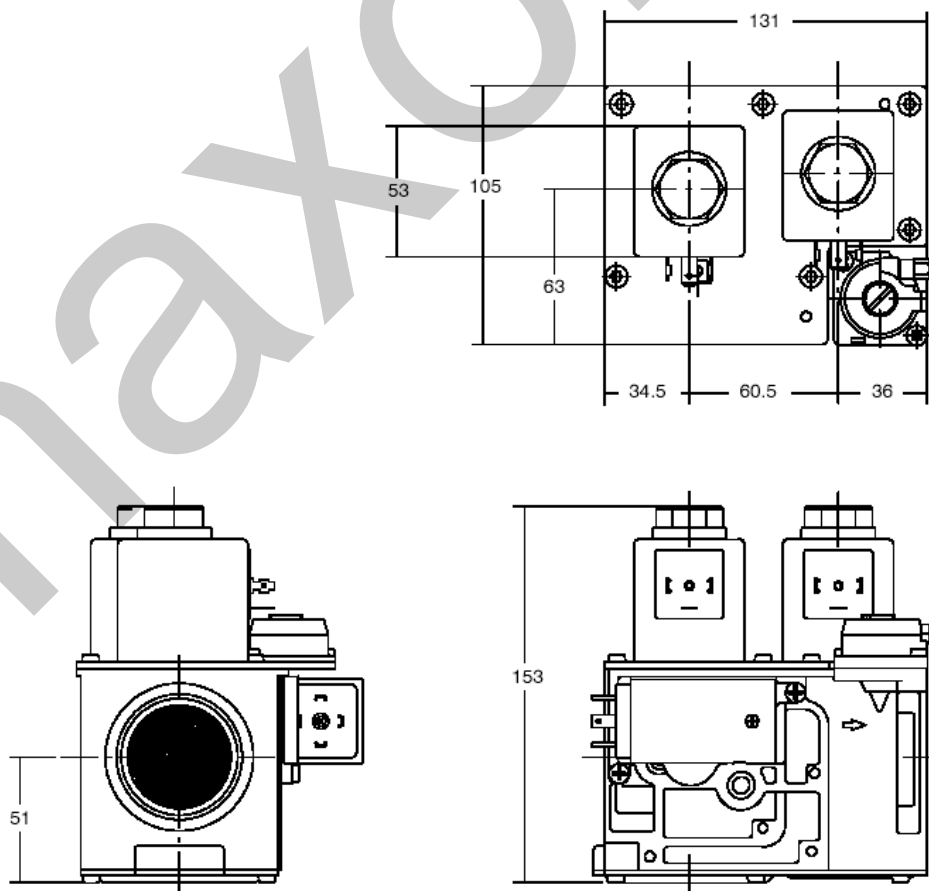


Fig. 3. VRB15/VRB20/VRB25 series with gas pressure switch

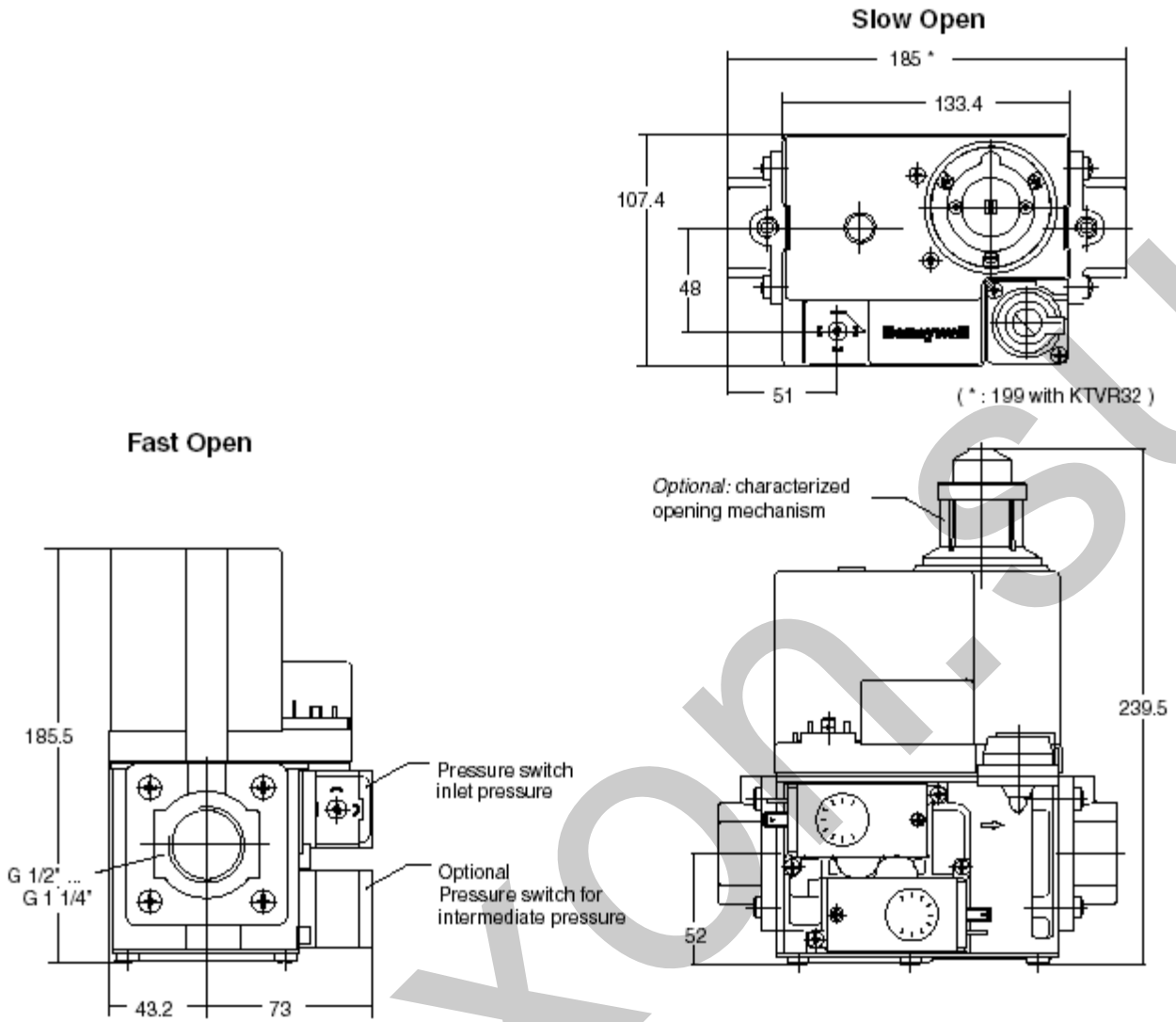


Fig. 4. VR415/VR815 series and VR420/VR820 series with gas pressure switch

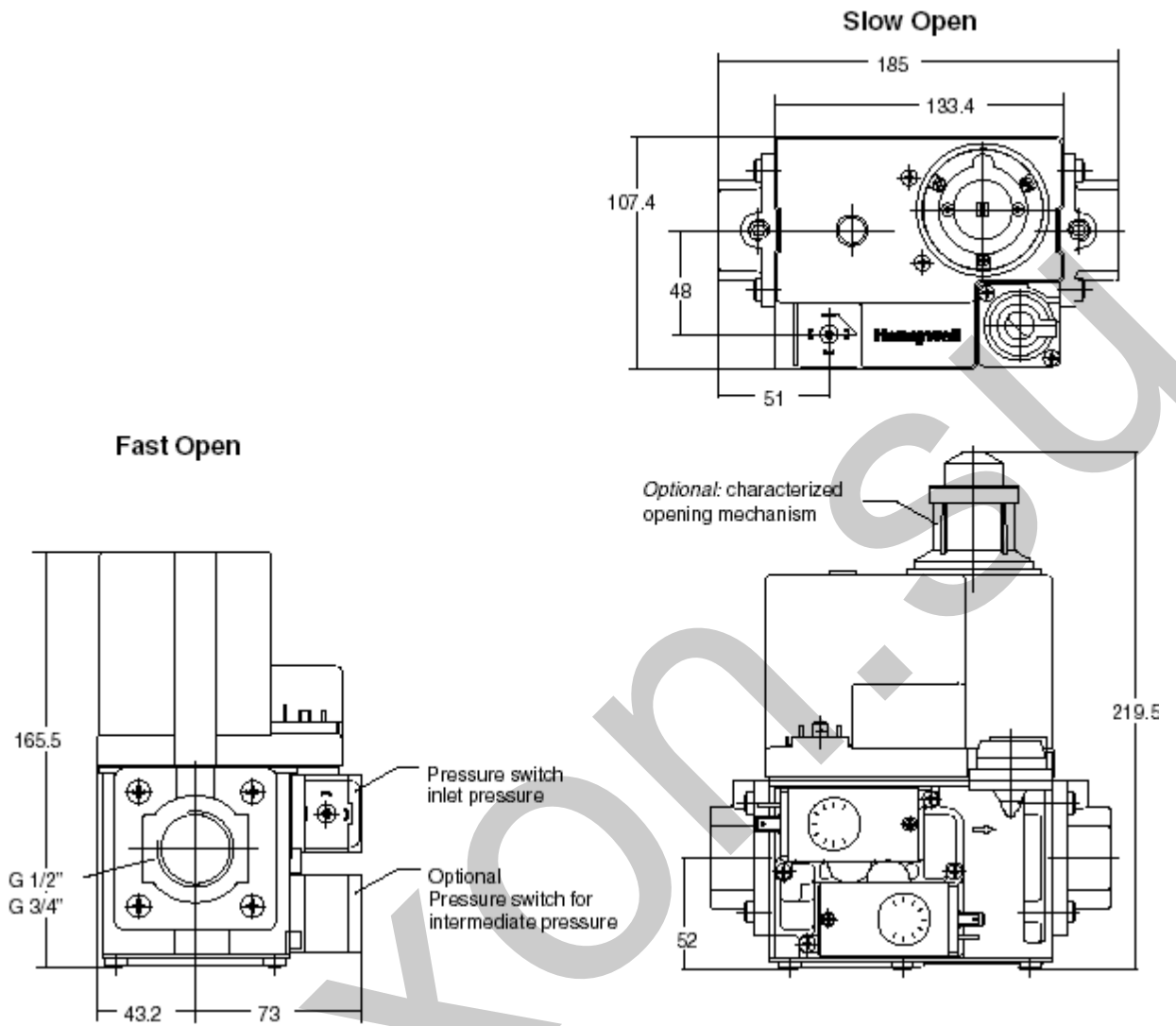


Fig. 5. VR425/VR825 series and VR432/VR832 series with gas pressure switch

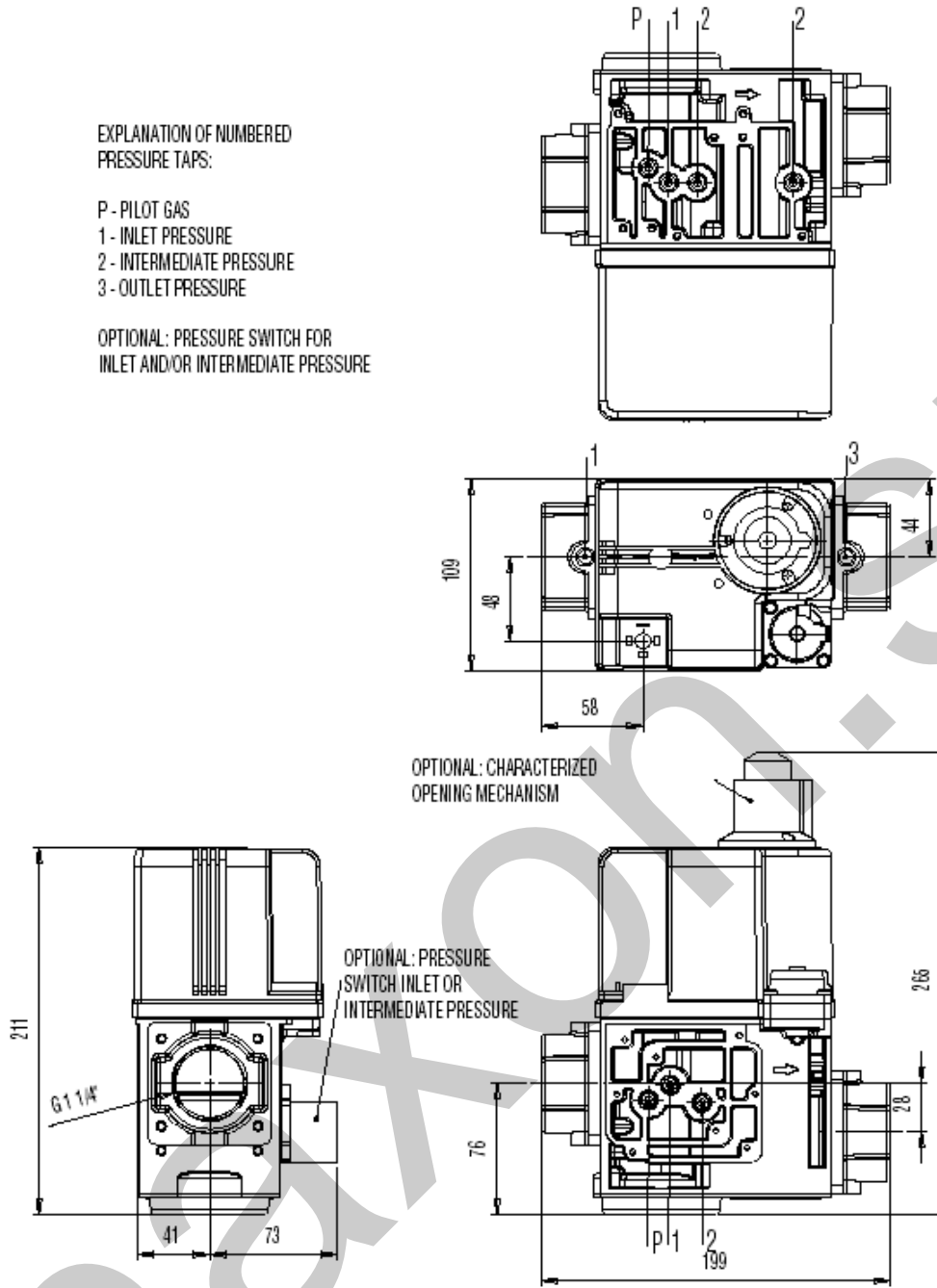


Fig. 6. VR434/VR834 series with gas pressure switch

Honeywell

Automation & Control Solutions
 Environmental and Combustion Controls
 Satronic AG
 Honeywell-Platz 1
 CH-8157 Dielsdorf
 Phone: +41 1 855 22 11
 Fax: +41 1 855 22 22